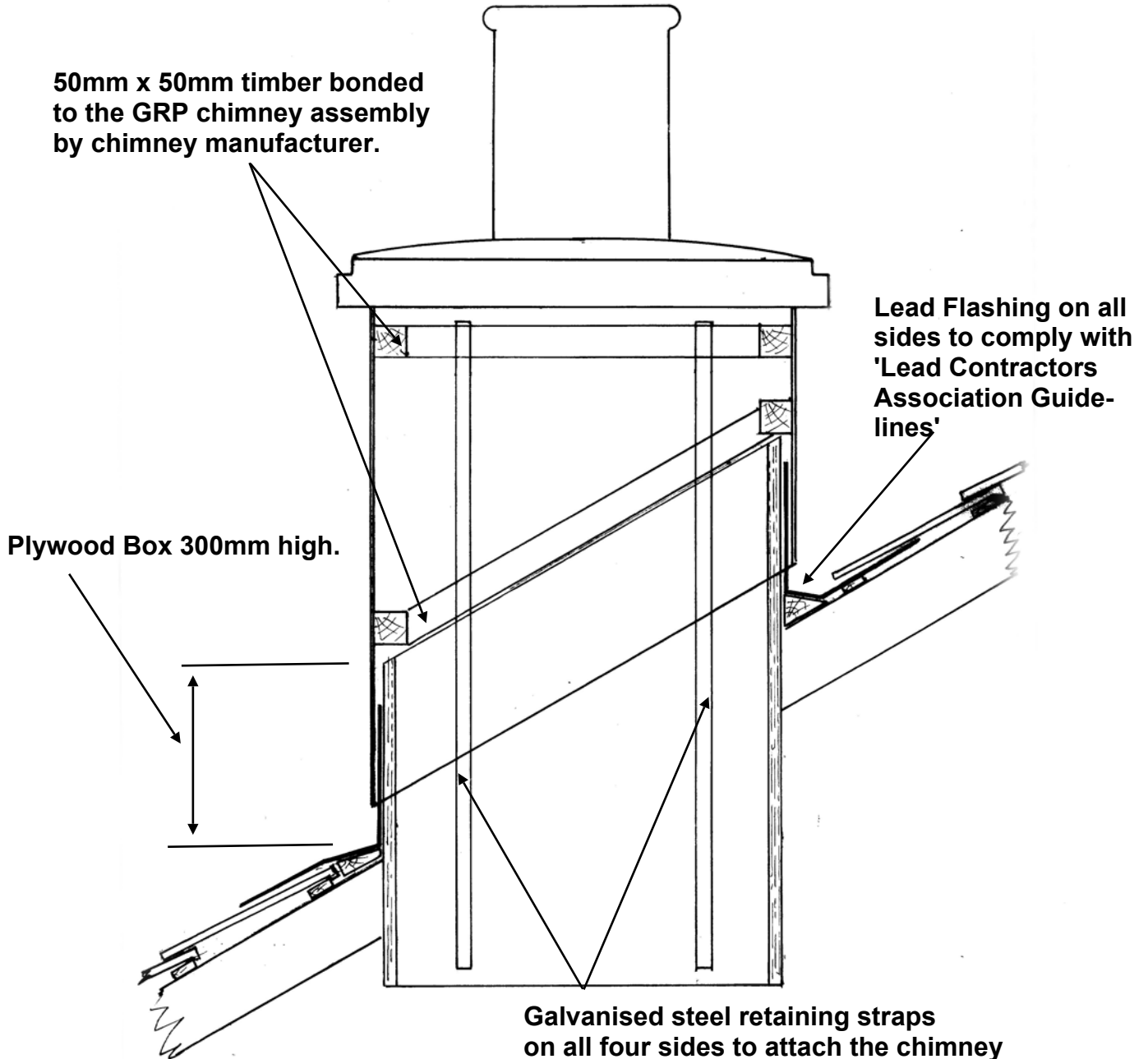


# Typical fixing of GRP Chimney assembly over plywood box

**Note:**

The Plywood Box to be constructed from 18mm Exterior WBP plywood and to be fastened and braced to the roof structure to the architect's specifications.



50mm x 50mm timber bonded to the GRP chimney assembly by chimney manufacturer.

Lead Flashing on all sides to comply with 'Lead Contractors Association Guidelines'

Plywood Box 300mm high.

Galvanised steel retaining straps on all four sides to attach the chimney to the plywood box and roof structure. All fastening must be done from the inside. The GRP wall of the stack assembly must not be pierced.

## Man Friday GRP

5 Marsh End, Lords Meadow,  
CREDITON, Devon EX17 1DN  
E-mail: info@manfriday.co.uk  
Web: www.manfriday.co.uk

**Tel/Fax 01363 776622**

<b>Ref:</b>	
<b>Title</b>	<b>Chimney fixing on plywood box</b>
<b>Scale</b>	<b>N.T.S</b>
<b>Drawing Number</b>	<b>104</b>