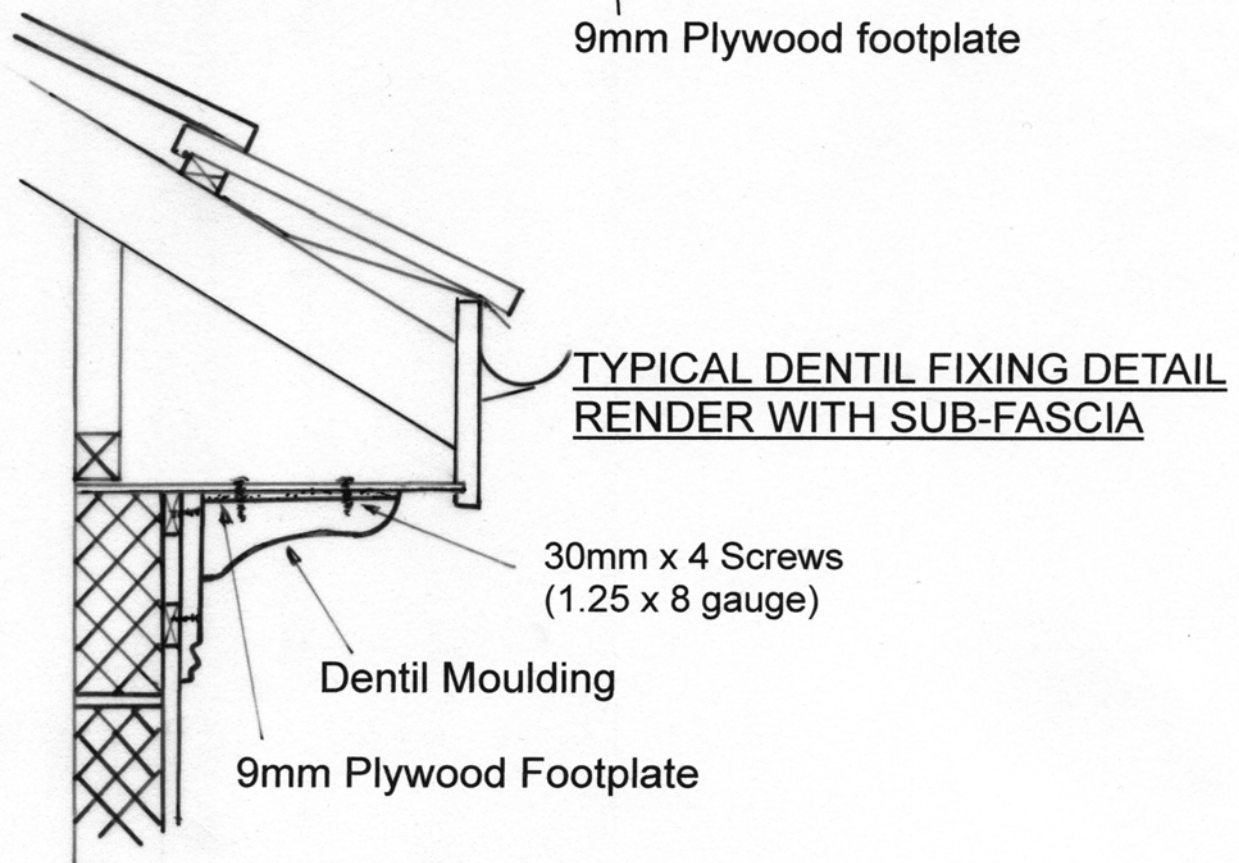
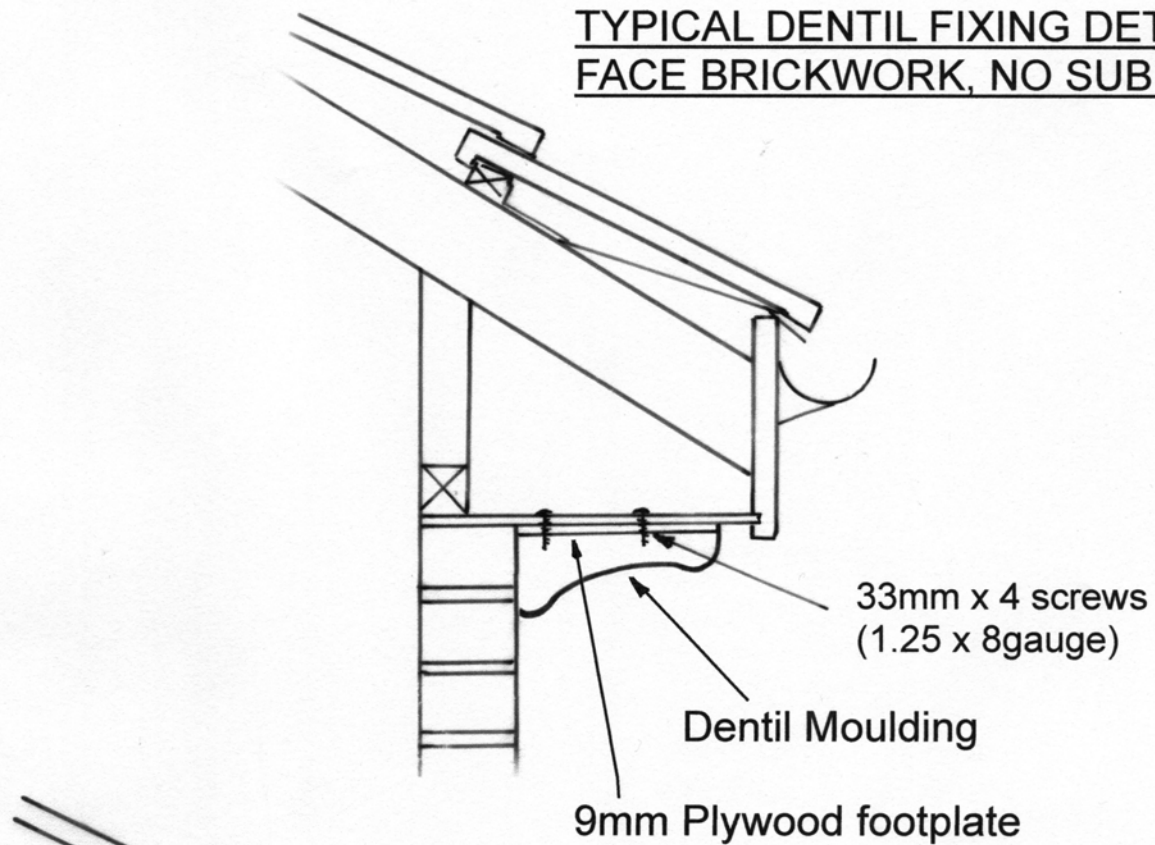


TYPICAL DENTIL FIXING DETAIL
FACE BRICKWORK, NO SUB FACIA



Ref:		<p>Man Friday GRP</p> <p>5 Marsh End, Lords Meadow, Credon, Devon EX17 1DN E-mail: info@manfriday.co.uk Web: www.manfriday.co.uk</p> <p>Tel/Fax 01363 776622</p>
Drawing Title	DENTIL FIXING	
Scale	N.T.S	
Drawing No	101	