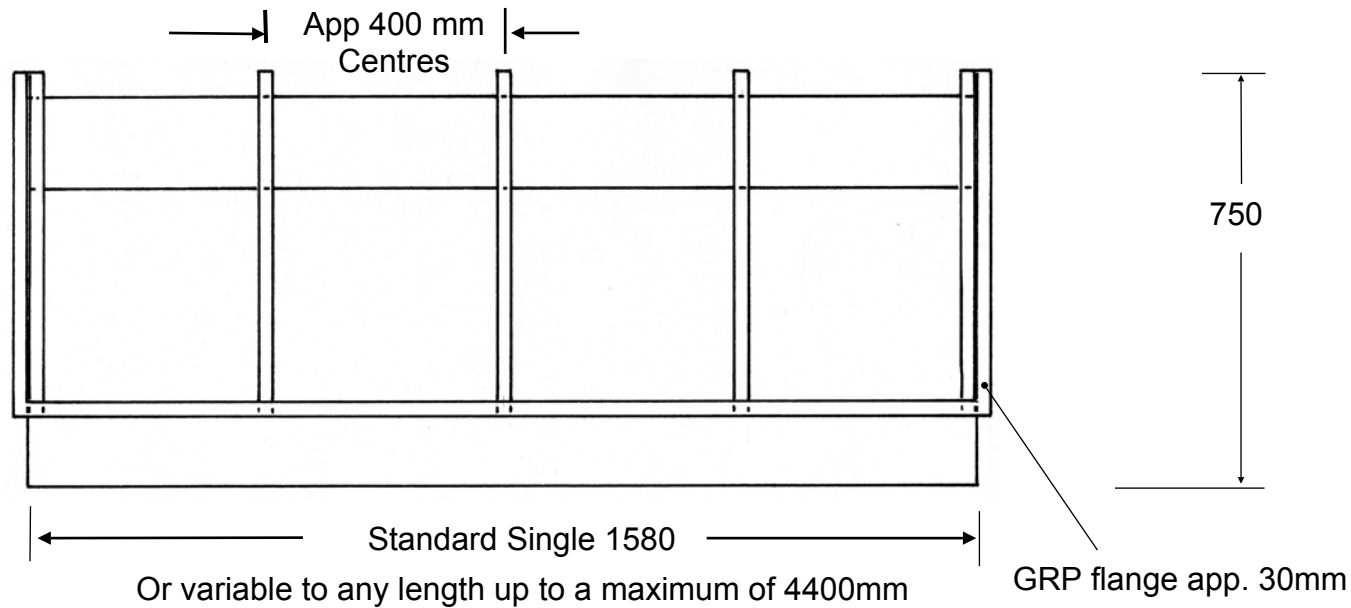


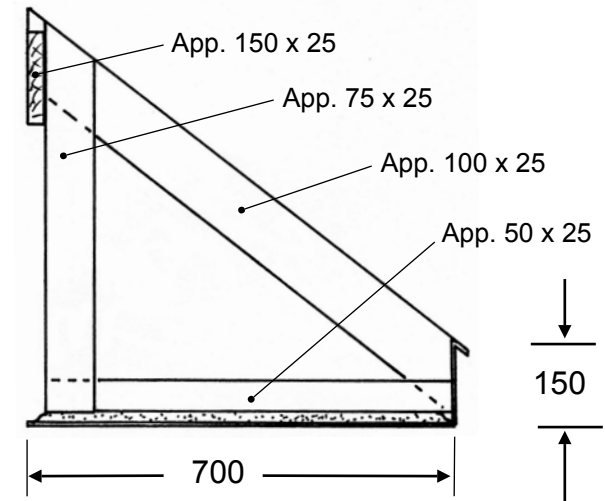
# WESTBURY MONO OPEN TRUSS CANOPY

NOT TO SCALE

View looking at timber trusses from front of canopy



Section thru canopy in way of timber truss



## **Man Friday (South West) Ltd**

5 Marsh End, Lords Meadow,  
Crediton, Devon, EX17 1DN

E-mail: [info@manfriday.co.uk](mailto:info@manfriday.co.uk)

Web: [www.manfriday.co.uk](http://www.manfriday.co.uk)

**Tel 01363 776622**

## **Laminate Specification**

### Base:

White Gelcoat

2 layers 450gms csm all over

1 x 12mm timber covering entire soffit

1 x layer 450gms csm encapsulating timber

## **Timber trusses**

Timber to be in accordance with FSC  
Timber trusses and end batons to be  
fastened to GRP base, front and sides  
By CSM/Resin laminate