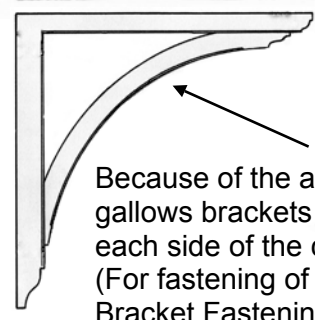
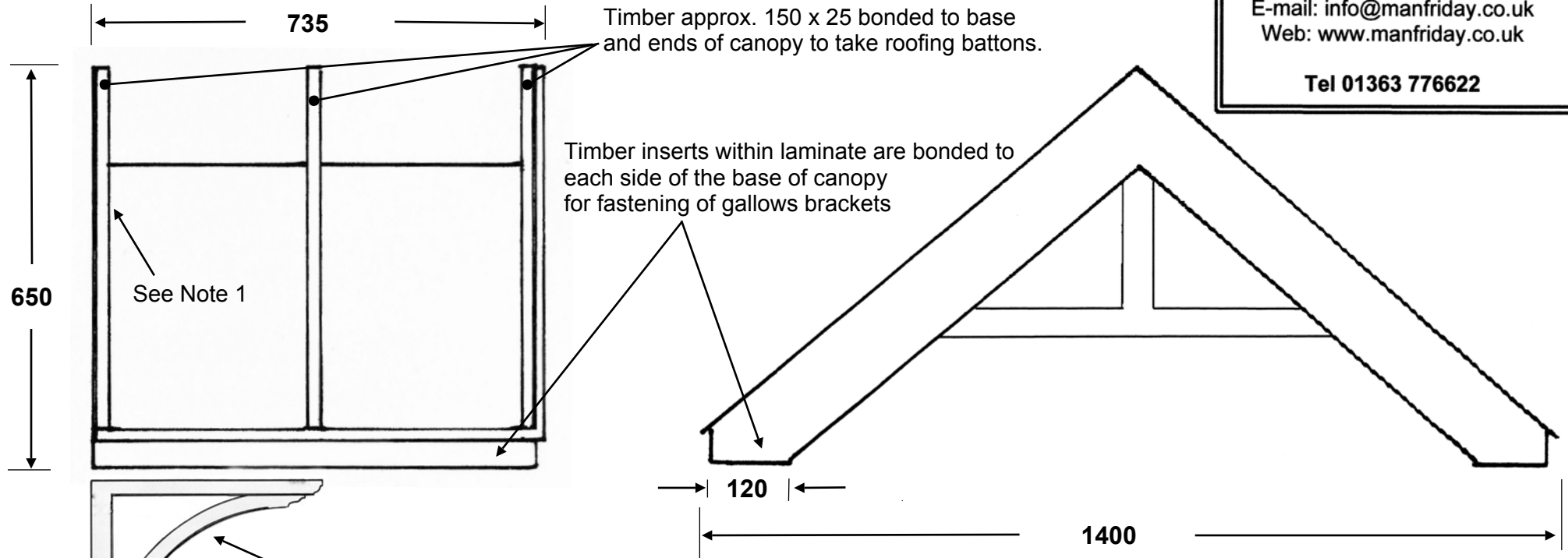


BAMPTON APEX OPEN TRUSS CANOPY

NOT TO SCALE

Man Friday (South West) Ltd
 5 Marsh End, Lords Meadow,
 Crediton, Devon, EX17 1DN
 E-mail: info@manfriday.co.uk
 Web: www.manfriday.co.uk
 Tel 01363 776622



Because of the added weight of slates or tiles gallows brackets or posts should be fitted to each side of the canopy.
 (For fastening of gallows brackets, see Gallows Bracket Fastening drawing)

Laminate Specification
Base:
 White Gelcoat
 2 layers 450gms csm all over
 1 x 12mm timber covering entire soffit
 1 x layer 450gms csm encapsulating timber

Timber trusses
 Timber to be in accordance with FSC
 Timber trusses and end batons to be fastened to GRP base, front and sides
 By CSM/Resin laminate

PEDIMENTS.
 Apex canopies can be supplied with or without pediments.
 Inverted 'T' is shown in the drawing above

Note 1

Apex open truss canopies are normally fastened to the wall by fastening thru the timber and GRP flange at the back of the canopy, using at least 100mm x 10gauge screws at 300mm centres into suitable wall plugs or with the use of suitable wallbolts