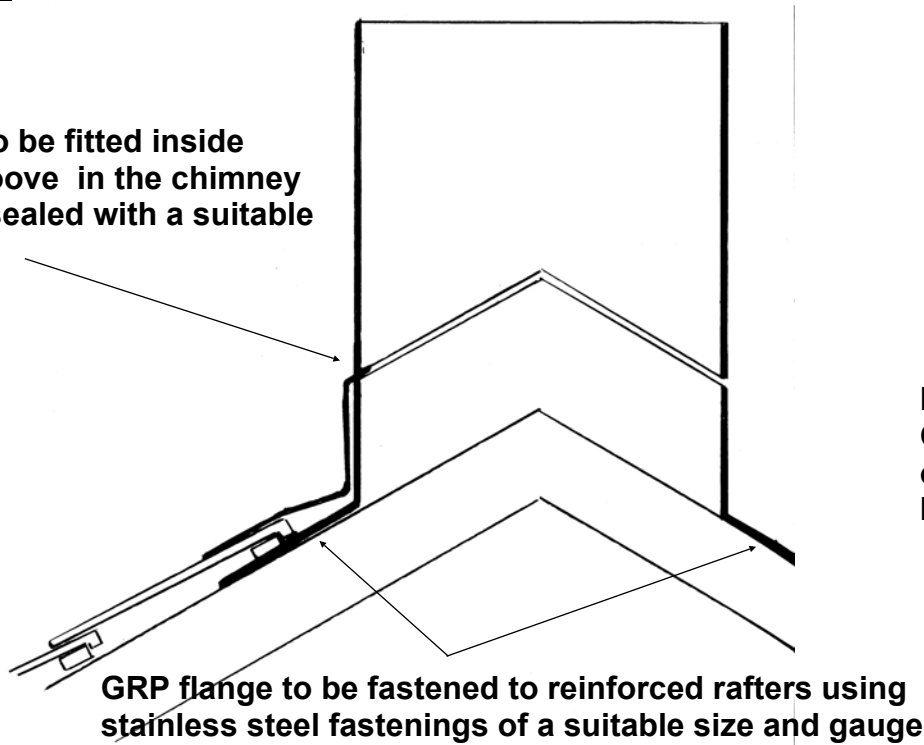


## Typical fixing of GRP Chimney assembly with flanged base

NOT TO SCALE

Top of GRP chimney omitted for clarity

Lead flashing to be fitted inside the flashing groove in the chimney assembly and sealed with a suitable flashing mastic



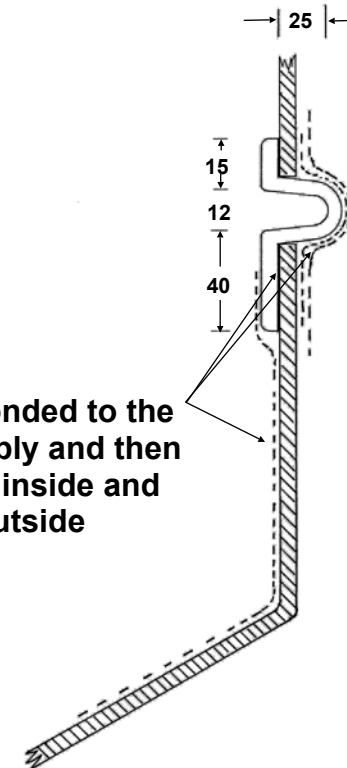
GRP flange to be fastened to reinforced rafters using stainless steel fastenings of a suitable size and gauge

Where roofing battens pass over GRP flange a clearance hole for the batten fastening should be bored in GRP flange

### Notes:

1. Rafters and roof must be suitably reinforced to support the GRP Chimney assembly - to architects satisfaction.
2. Waterproof breather membrane has been omitted from drawing but should be fixed to rafters under chimney assembly before fitting of chimney
3. Lead Flashing on all sides to comply with 'Lead Contractors Association Guidelines'

### Detail of Flashing groove



Flashing groove is bonded to the GRP Chimney assembly and then overlaminated on the inside and lower flange on the outside

**Man Friday (South West) Ltd**

5 Marsh End, Lords Meadow,  
Crediton, Devon, EX17 1DN

E-mail: [info@manfriday.co.uk](mailto:info@manfriday.co.uk)  
Web: [www.manfriday.co.uk](http://www.manfriday.co.uk)

**Tel 01363 776622**