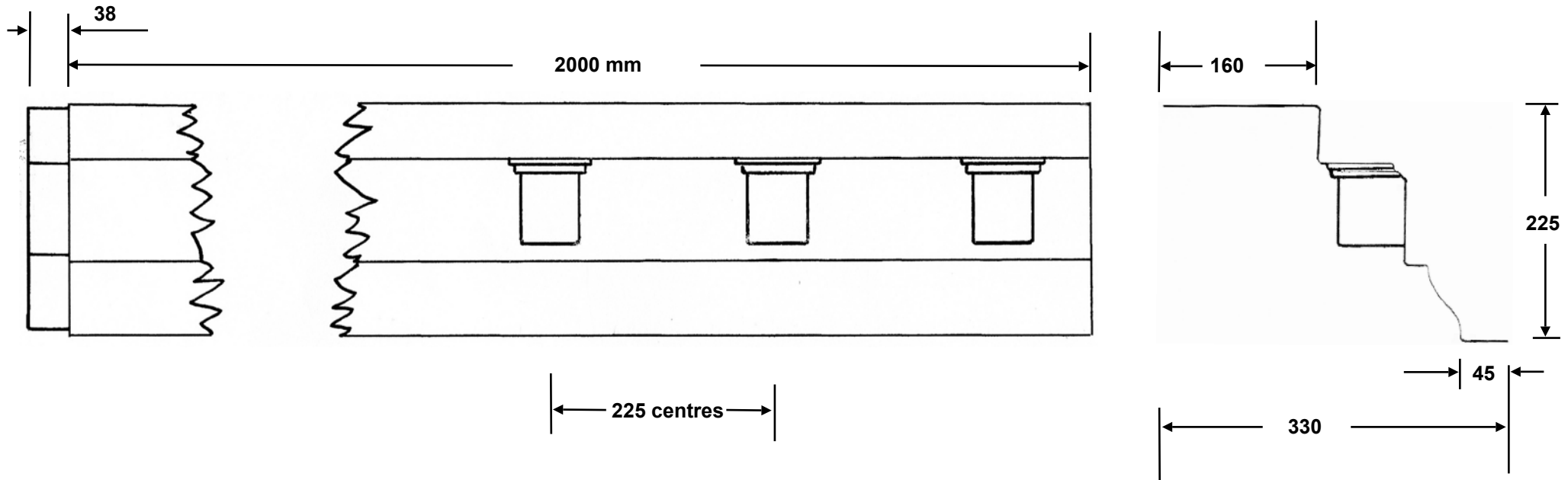


Dentil Cornice DC02



GRP Specification:

Gel coat - White

2 x 450 g/m, CSM

Average laminate thickness 4mm

Man Friday (South West) Ltd

5 Marsh End, Lords Meadow,
Credon, Devon, EX17 1DN

E-mail: info@manfriday.co.uk

Web: www.manfriday.co.uk

Tel 01363 776622

Ref:	
Drawing Title	Dentil Cornice DC02
Scale	N.T.S.
Drawing No	DC02