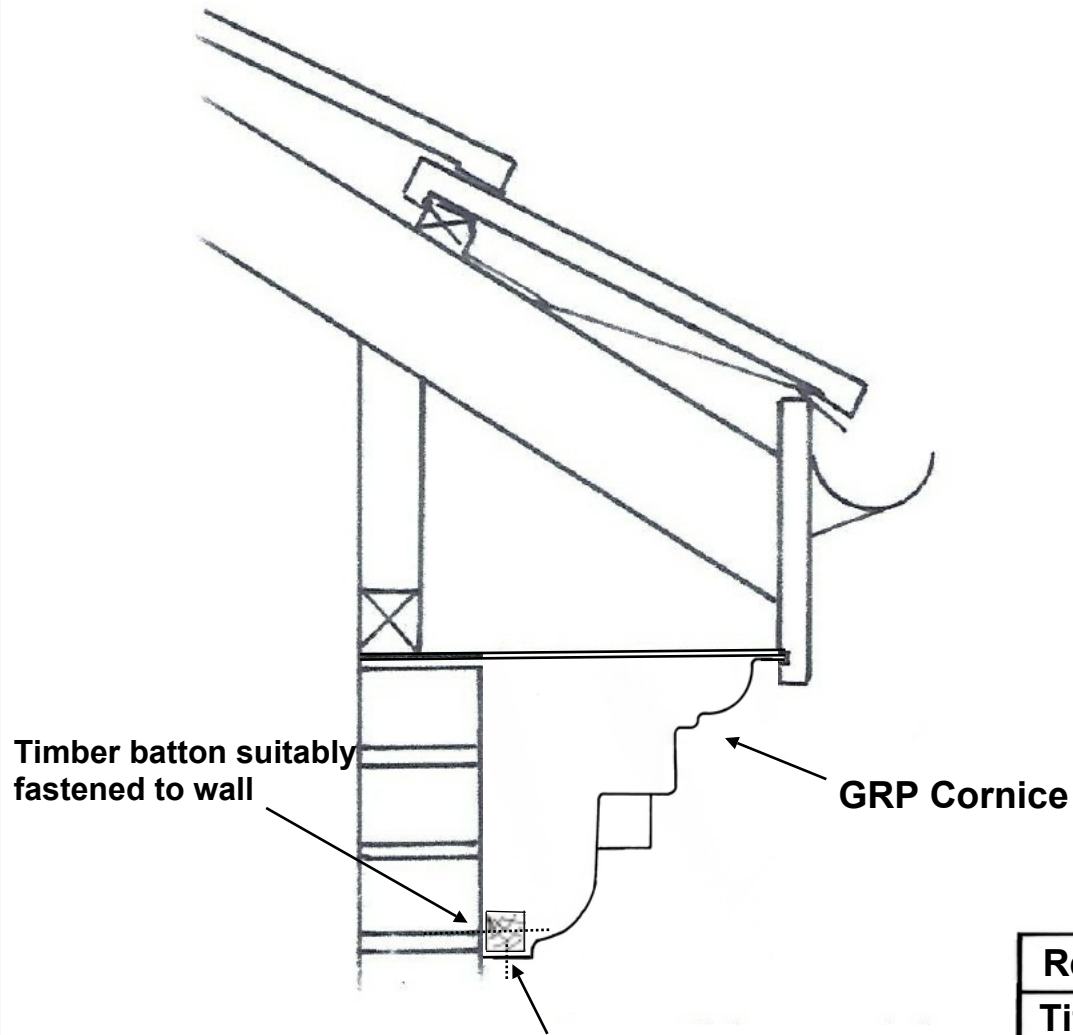
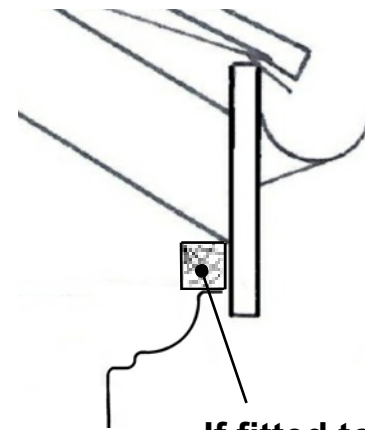


**Typical cornice fixing to brickwork/render and uPVC fascia with soffit slot**



GRP cornice fastened to timber batten with woodscrews and fitted with plastic cover caps over the heads



If fitted to fascia with no slot, a timber batten will need to be fitted to the fascia or sub-fascia to fasten the cornice to.

Ref	
Title	Cornice Fixing
Scale	NOT TO SCALE
Drwg No	CF01

**Man Friday (South West) Ltd**  
 5 Marsh End, Lords Meadow,  
 Crediton, Devon, EX17 1DN  
 E-mail: [info@manfriday.co.uk](mailto:info@manfriday.co.uk)  
 Web: [www.manfriday.co.uk](http://www.manfriday.co.uk)  
 Tel 01363 776622