

Straight Bars

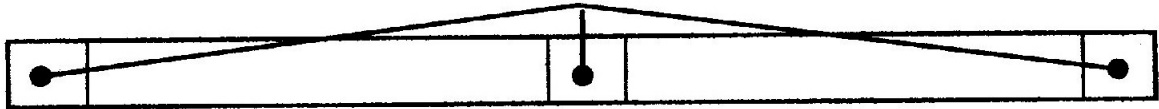
All straight bars can be supplied at any length up to the mould length, which is shown on section drawings below.

The maximum depth of each mould is shown alongside each of the drawings. Bars can be moulded at any depth from 25mm up to the maximum depth of the mould.

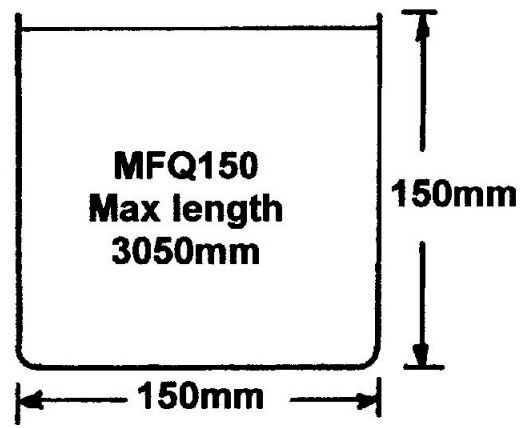
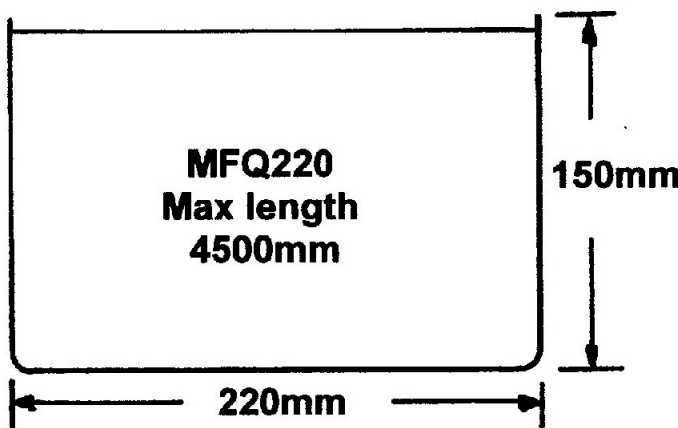
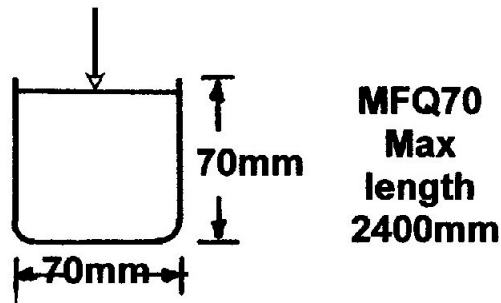
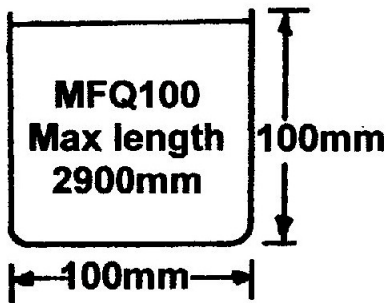
Timber inserts are normally bonded into the ends and centre of straight bars for fixing purposes.

6mm plywood is fitted to the rear side of the bars and then overlaminated

Softwood blocks bonded to inside of laminate at the centre and ends of the bar



6mm plywood is fitted to the rear side of the bars and then overlaminated



Man Friday (South West) Ltd
5 Marsh End, Crediton, Devon, EX17 1DN
Tel 01383 776622
E-mail: info@manfriday.co.uk Web: www.manfriday.co.uk