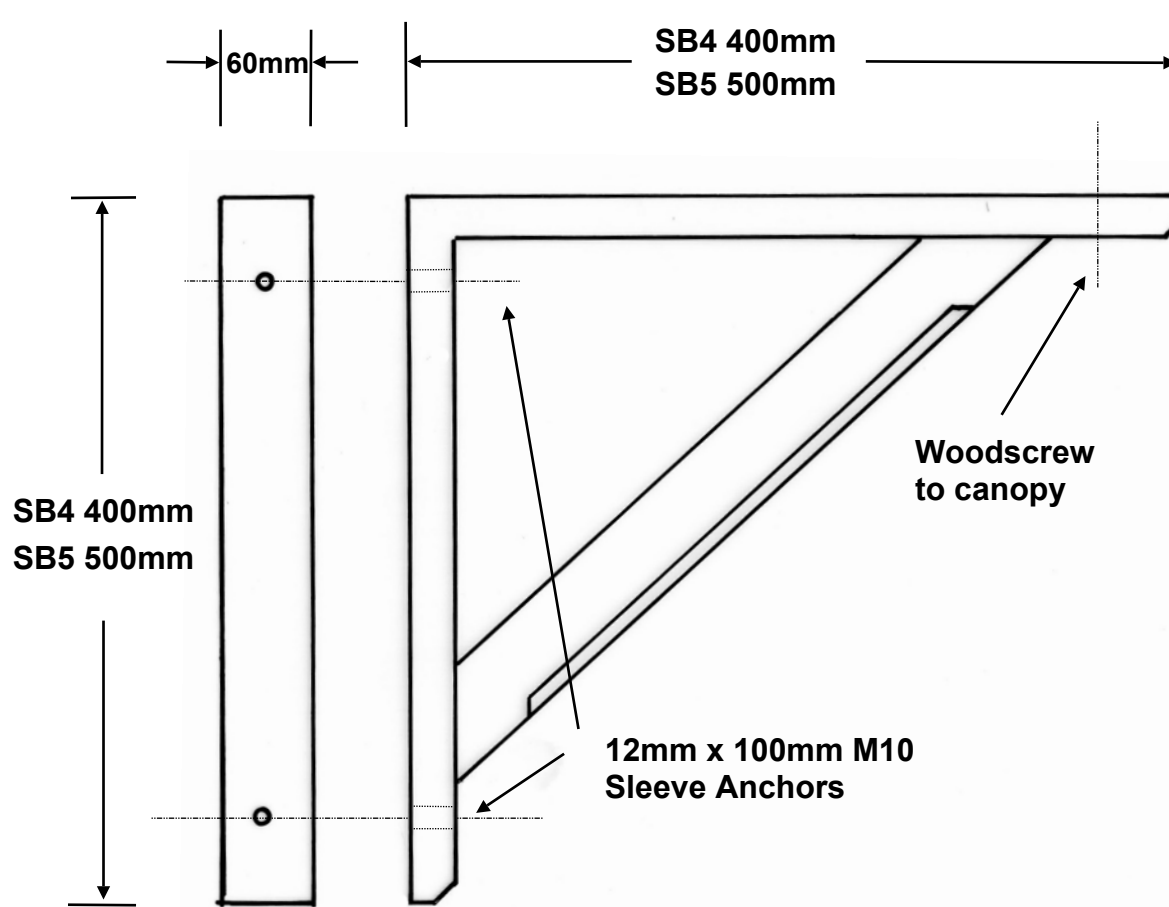


Straight Arm Gallows Brackets Fastening



Brackets should be fixed to wall –through pre drilled holes in bracket –using 12mm x 100mm M10 Sleeve Anchors, the nut/bolt head being finally fitted with a White Plastic Dome Protection Cap Cover.

Brackets should be fastened to the canopy base with woodscrews and fitted with white plastic cover caps over the heads.

Fixing Procedure

1. Position first bracket on wall where required.
2. Mark position of fixings on wall through pre-drilled holes in bracket.
3. Drill holes in wall and fix bracket using sleeve anchors.
4. Mark top of second bracket on wall using a level.
5. Mark and fix second bracket in same manner as bracket one.
6. Fix brackets to canopy, fastening through the forward nose of the bracket into the canopy base.

Ref.	
Title.	Straight Brackets SB4 & SB5 Fixing
Scale.	NOT TO SCALE
Drwg No.	SB 01

Man Friday (South West) Ltd

5 Marsh End, Lords Meadow,
Crediton, Devon, EX17 1DN

E-mail: info@manfriday.co.uk
Web: www.manfriday.co.uk

Tel 01363 776622